

# SOLITEX® ADHERO FC & SOLITEX EXTASANA ADHERO®

## Wall Application Guide



Adhesive Weather Resistive Barriers for ultimate protection against wind and driving rain

## SYSTEM

Weather Resistive Barrier

Wall



## IMPORTANT

The SOLITEX EXTASANA ADHERO® and SOLITEX® ADHERO FC WRBs come with a split release film comprised of two sections – 250 mm and 1250 mm wide. The 250 mm wide application zone shall be adhered first.

To ensure that the wider release film can be easily removed later on, pull off a corner of this film and fold it over. This will then be easier to grip later on.



## SOLITEX® ADHERO FC

The same application process is used when installing the SOLITEX® ADHERO FC Class 4 Vapour Permeable Adhesive Weather Resistive Barrier.

The images in this guide showcase the use of SOLITEX EXTASANA ADHERO® Adhesive Weather Resistive Barrier (WRB).



1

**Clean substrate**

Ensure surfaces are even, clean and free from oil, grease, dust and any sharp corners.



2

**Measure and mark**

Mark a laser line or chalk line to be used as a guide for the top edge of the membrane. The location of the line depends on the desired overlap to slab edge.



3

**Work in sections**

Working in sections is easier for large walls. Cut the membrane to the desired length.



4

**Remove split release film**

The 250 mm-wide application zone shall be adhered first. Pull off a corner of this film and fold it over. This will make it easier to grip and pull off.



5

**Roll out the membrane**

Roll out the first sheet aligning the top edge with the marked line. Gradually release the backing film diagonally to the application direction.



6

**Apply pressure**

Apply pressure and smooth the membrane using the PRESSFIX XL tool adhering the membrane to the substrate, avoiding air bubbles and folds.



**IMPORTANT**

Air bubbles should be avoided during application by using the PRESSFIX XL tool.

In some cases, if the substrate material heats up in the sun, it may off-gas and cause small bubbles to appear even through the membrane was installed smooth.

This does not affect the functionality, longevity or durability of the product.



**Overlap layers**

Install the upper sheet horizontally lapping over the lower sheets to ensure water is shed to the outside. The min. horizontal and vertical overlaps are 150 mm.



**Alternative method: Vertical application**

Begin from the highest point. Gradually release the backing film by pulling diagonally to the application direction. Apply pressure using PRESSFIX XL.



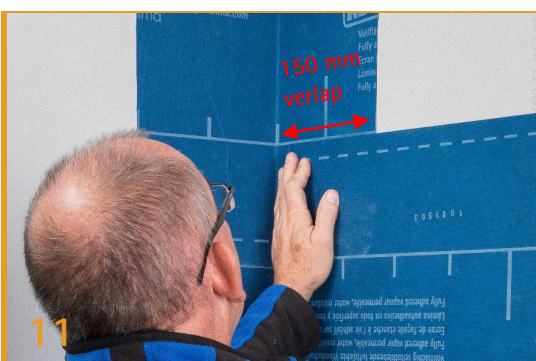
**Internal corner**

Extend the membrane min. 150mm past the corner. Press the WRB into the corner using the PRESSFIX XL to avoid round corners.



**External corner**

Extend the membrane min. 150mm past the corner. Apply pressure and smooth using PRESSFIX XL.



**Corner overlaps**

Similar to any vertical and horizontal joints, ensure 150mm overlap to the previous corner course. Apply pressure and smooth using PRESSFIX XL.



**Slab edge connection**

When sealing to rough substrates like concrete, apply a bead of ORCON® CLASSIC at a thickness of at least 5 mm. Do not press the adhesive completely flat.



**PRESSFIX XL**

A large malleable plastic tool for applying pressure to pro clima SOLITEX EXTASANA ADHERO® or SOLITEX® ADHERO FC adhesive WRBs to ensure long term durable bonding.



**ORCON® CLASSIC**

A durable airtight sealing adhesive suitable for bonding all pro clima products to any building material, smooth or rough, metal, masonry or timber.

## SYSTEM

Weather Resistive Barrier

Wall



## IMPORTANT

All pro clima adhesive tapes and WRBs are pressure sensitive.

It is essential to utilize the PRESSFIX tool to apply pressure, activate the adhesive and avoid bubbles and creases.

For corner application, stretch the tape sufficiently and adhere in place in a manner free of tension. Too much tension can result in pull back over time.

TESCON EXTONSEAL® application guide

**Cut out window openings**

Cut the ADHERO® WRB at window reveals with 45° angle cuts, forming 4 flaps to be dressed into the reveal.

**Stick membrane to reveal**

Fold the ADHERO® WRB onto the reveal and adhere in place. Apply pressure firmly using PRESSFIX XL. Cut any excess flush with the internal face.

**Sill flashing – protect framing**

Exposed framing shall be covered with TESCOX EXTONSEAL® sill tape to protect the framing.

**Applying TESCOX EXTONSEAL®**

Install TESCOX EXTONSEAL® on the sill and in each top corner. Extend minimum 150mm in each direction and 50mm onto the front face of the WRB.

**TESCON EXTONSEAL®**

Flexible sill tape for use around window and door openings.

**TESCON EXTONSEAL® at corners**

For corner application, use PRESSFIX to press into place and avoid round corners. Pre-stretch and adhere. Take care not to overstretch or tear.

**Butterflies in corners**

Where TESCOX EXTONSEAL® has been overstretched or damaged, apply a butterfly of TESCOX EXTOR®.



**PRESSFIX**

PRESSFIX is a malleable plastic tool for applying pressure to pro clima tapes and WRBs to ensure long term durable bonding.

# FORTX™ FORTX™ MELIOR



**FORTX™ and FORTX™ MELIOR system requirements**  
For the FORTX™ and FORTX™ MELIOR systems, TESCON EXTOSEAL® to be applied along the perimeter of the window opening to match tested lab details.



**Method 1: Continuous piece**  
Use one single piece of TESCON EXTOSEAL® all around. Ensure starting at the jamb downwards and finishing at the same jamb with min. 150mm overlap.



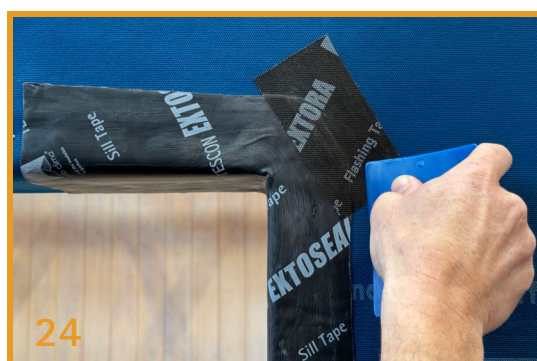
**Method 2: 4 pieces of TESCON EXTOSEAL®**  
Start at the sill and install TESCON EXTOSEAL® as per step 16 above. Extend 150mm up each jamb.



**Method 2: 2 runs for the jamb**  
Use two separate pieces of TESCON EXTOSEAL® along the jamb. Overlap the sill tape 150mm.



**1x Header**  
Use one more piece on the header, overlapping TESCON EXTOSEAL® 150-200mm down each jamb.



**Butterflies in corners**  
Where TESCON EXTOSEAL® has been overstretched or damaged, apply a butterfly of TESCON EXTORA®.

## SYSTEM

Weather Resistive Barrier

Wall



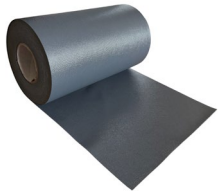
## TFLEX Control Joint Install

### Method 1: ADHERO overlap from the top

## IMPORTANT

Control joints vary from project to project depending on design criteria for seismic and/or vertical deflections, cladding type, subframing, etc. The following steps show a generic control joint detail.

The exact details for positioning and dimensions of the control joint relative to the structure will depend on the specific engineering design.



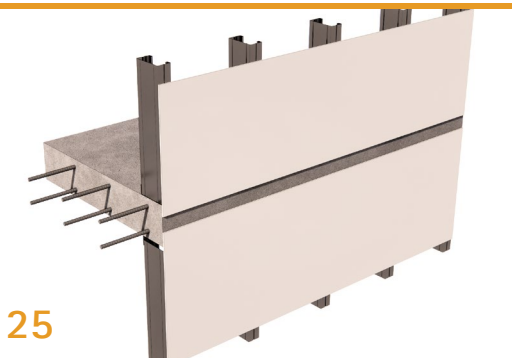
## TFLEX

Flexible control joint material. Designed for control joints and seismic movement joints in interstorey transitions. Available in widths of 125mm and 250mm to suit various designs and slab thicknesses.



## TESCON EXTORA®

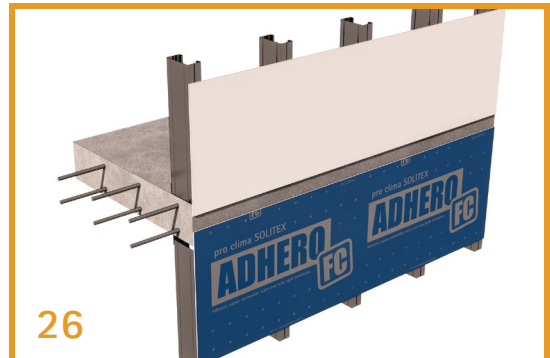
Pressure sensitive adhesive tape for overlaps and connections.



25

**Control joint preparation**

Ensure surfaces are even, clean and free from oil, grease, dust and any sharp corners.



26

**Lower floor ADHERO® WRB**

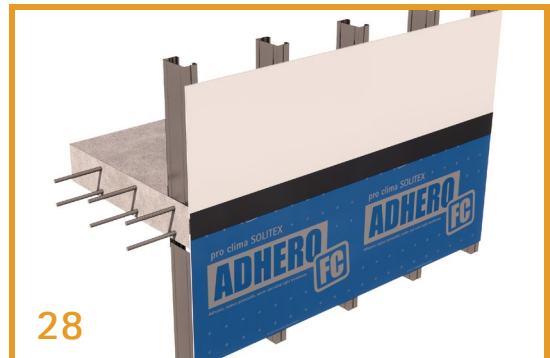
Install the ADHERO® WRB on the lower floor as per this application guide. Finish flush with the top edge of the rigid substrate.



27

**DUPLEX double-sided tape**

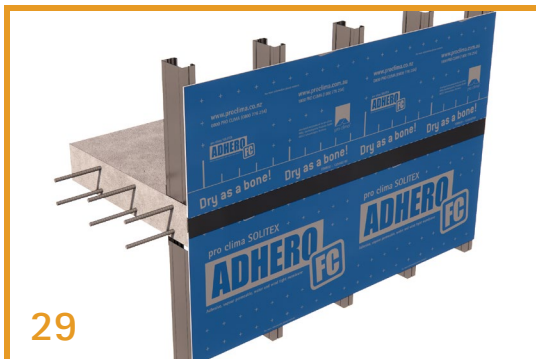
Utilise the DUPLEX double-sided tape as an installation aid. Run two strips top and bottom of the rigid boards across the control joint.



28

**Install TFLEX**

Temporarily fix TFLEX to the DUPLEX double sided tape.



29

**Install upper floor ADHERO® WRB lapping TFLEX**

Install the ADHERO® WRB on the upper floor as per this application guide, overlapping the TFLEX min 30mm. Apply pressure using the PRESSFIX tool.



30

**TESCON EXTORA® tape on TFLEX bottom edge**

Install the TESCON EXTORA® tape on the bottom edge of TFLEX to permanently secure in place.



DUPLEX

Double-sided tape suitable for temporary fixing and installation aid for WRBs and TFLEX control joint material.

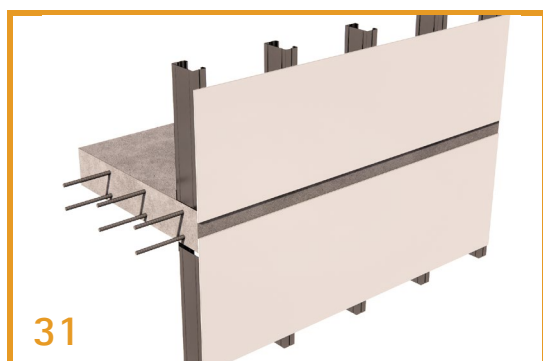


TESCON® PRIMER RP

Solvent-free primer applied to substrates to prepare for optimum adhesion to concrete, masonry, timber, fibre cement, plywood, oriented strand board (OSB), and other porous or friable surfaces prior to application of tapes or adhesive WRBs.

## TFLEX Install

### Method 2: TESCON EXTORA overlap from the top and bottom



31

#### Control joint preparation

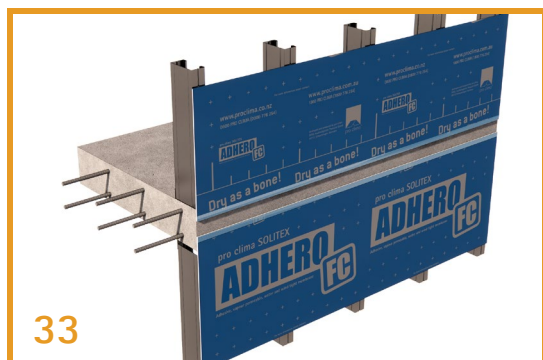
Ensure surfaces are even, clean and free from oil, grease, dust and any sharp corners.



32

#### Lower and upper floor ADHERO® WRB

Install the ADHERO® WRB on both lower and upper floor as per this application guide. Finish flush with the top and bottom edges of the rigid substrates.



33

#### DUPLEX double-sided tape

Utilise the DUPLEX double-sided tape as an installation aid. Run two strips top and bottom of the rigid boards across the control joint.



34

#### Install TFLEX

Temporarily fix TFLEX to the DUPLEX double sided tape. Apply pressure using the PRESSFIX tool.



35

#### TESCON EXTORA® tape on TFLEX top edge

Install the TESCON EXTORA® tape on the top edge of TFLEX to permanently secure in place. Apply pressure using the PRESSFIX tool.



36

#### TESCON EXTORA® tape on TFLEX bottom edge

Install the TESCON EXTORA® tape on the bottom edge of TFLEX to permanently secure in place. Apply pressure using the PRESSFIX tool.

## SYSTEM

Weather Resistive Barrier

Wall



## IMPORTANT

To ensure the weathertightness of the system, all penetrations, tears and abrasions must be adequately addressed as soon as reasonably practical utilizing the appropriate accessories.

**Sealing pipe penetrations**

Select the correct sized ROFLEX grommet and adhere to the subsurface using TESCOX EXTORA® tape. Ensure unders and overs are in a diamond pattern.

**Sealing cable penetrations**

Place a KAFLEX sealing grommet over round cables and adhere it to the membrane.

**Repair abrasions using TESCOX EXTORA®**

Adhere TESCOX EXTORA® tape overlapping onto undamaged membrane by at least 30 mm.

**Repair using ADHERO® WRB**

As an alternative, defects can also be repaired by adhering a piece of ADHERO® WRB.

**Angular penetrations**

Seal angular penetrations like rafters and beams using TESCOX EXTORA® or TESCOX EXTORA® PROFIL tapes.

**Sealing of fixing penetrations**

TESCOX® NAIDECK or TESCOX® NAIDECK patches can be used for sealing screw fixing penetrations for subframe members - top hats, brackets, clips, etc.

**TESCOX® NAIDECK**

Self-sealing strip for sealing penetrations like screw fixings through top hats, brackets, clips, studs.

**TESCOX® NAIDECK patch**

Self-sealing patches for sealing penetrations like screw fixings for subframe members - top hats, brackets, clips.

### Recommendations and requirements

- SOLITEX EXTASANA ADHERO® and SOLITEX® ADHERO FC has up to 180 days UV exposure limit prior to cladding.
- SOLITEX EXTASANA ADHERO® / SOLITEX® ADHERO FC, TESCON EXTORA® and TESCON EXTOSEAL® form a continuous system. Any damage or tears should be patched.
- SOLITEX EXTASANA ADHERO® and SOLITEX® ADHERO FC when used over a rigid substrate may be used as a temporary weather protection to allow the internal lining of framed buildings to proceed before the wall cladding is installed.
- Any staples, damage, penetrations, or mechanical fixings used during installation may compromise the weathertightness of SOLITEX EXTASANA ADHERO® and SOLITEX® ADHERO FC as temporary weather protection. Use of TESCON EXTORA®, TESCON EXTOSEAL®, TESCON® NAIDECK and TESCON® NAIDECK patch can maintain the performance of the ADHERO® WRBs for temporary weather protection.
- When applying SOLITEX EXTASANA ADHERO® or SOLITEX® ADHERO FC as part of the FORTX™ or FORTX™ MELIOR systems, all details must be in accordance with the relevant details and requirements as referenced in the third-party engineering report from VENN Engineering.



**ROFLEX**

EPDM grommet for airtight sealing around pipe penetrations



**KAFLEX mono/duo**

EPDM grommet with adhesive flange for airtight sealing of cables



TESCON EXTORA®

TESCON EXTOSEAL®

KAFLEX ROFLEX

INTELLO®  
INTELLO® PLUS

SOLITEX EXTASANA ADHERO®  
SOLITEX® ADHERO FC



Pro Clima Australia Pty Ltd  
1800 PRO CLIMA (776 254)  
[support@proclima.com.au](mailto:support@proclima.com.au)  
proclima.com.au

Pro Clima New Zealand Ltd  
0800 PRO CLIMA (776 254)  
[support@proclima.co.nz](mailto:support@proclima.co.nz)  
proclima.co.nz



This document is the property of Pro Clima Australia Pty Ltd and must not be copied without permission.

This document is a guideline only and is subject to change without notice.

Please refer to [www.proclima.com.au](http://www.proclima.com.au) for the latest version.